

# 2 MP HDCVI Vari-focal Eyeball Camera

## 2 MP HDCVI IR Eyeball Camera



- 2 MP at 30 fps Maximum Resolution
- HD and SD Switchable Output
- Supports Multiple Video Formats: HDCVI, CVBS, AHD and TVI
- 2.7 mm to 13.5 mm Vari-focal Lens
- Maximum IR Length 30 m (98 ft) with Smart IR
- IP67 Environmental Protection
- Designed for Extreme Temperature Environments
- Five-year Warranty\*



### System Overview

Experience the superior clarity of Full HD 1080p video while leveraging your existing coaxial infrastructure. The camera features Smart IR technology to deliver clear images in near total darkness. The camera offers a multi-language on-screen display and HD and SD dual-output. The outstanding performance and low price make the camera an ideal choice for small businesses that value surveillance.

### Functions

#### Three Signals over a Single Coaxial Cable

HDCVI technology simultaneously transmits video, power, and data over a single coaxial cable. Dual-way data transmission allows the HDCVI camera to communicate with an HCVR to send control signals or to trigger alarms. HDCVI along with PoC technology delivers power<sup>1</sup> to devices at the edge, simplifying installation.

#### Long Distance Transmission

HDCVI technology guarantees real-time transmission over long distances without loss of video quality. HDCVI cameras provide the same resolution as most IP network camera systems using existing RG-59, RG-6, or CAT 6 UTP cabling.

#### Simplicity

HDCVI technology seamlessly integrates traditional analog surveillance systems with upgraded, high-quality HD video, making it the best choice to protect security investments. The plug and play approach enables full HD video surveillance without the hassles of configuring a network.

#### Smart IR

With IR illumination, detailed images can be captured in low light or total darkness. The camera's Smart IR technology adjusts the intensity of camera's infrared LEDs to compensate the distance of an object. Smart IR technology prevents IR LEDs from whitening out images as they come closer to the camera. The camera's integrated infrared illumination provides high performance in extreme low-light environments up to 30 m (98 ft).

#### Multi-format Support

The camera supports multiple video formats including, HDCVI, CVBS, AHD, and TVI. The camera can switch between these four formats via the OSD menu or via a UTC controller (PFM820), making the camera compatible with not only HDCVI DVRs but also most existing HD/SD DVRs.

#### Multi-language OSD

The OSD menu provides multiple image adjustments and function settings to meet the requirements of different monitoring scenes. The OSD menu includes configurations such as backlight mode, day/night, white balance, privacy mask and motion detection and offers Chinese, English, French, German, Spanish, Italian, Japanese, Korean, Russian, Polish, and Portuguese variations.

#### Protection

The camera's outstanding reliability is unsurpassed due to its rugged design. The camera is protected against water and dust with IP67, making it suitable for indoor or outdoor environments.

With a built-in heater and a working temperature range of  $-40^{\circ}\text{C}$  to  $+60^{\circ}\text{C}$  ( $-40^{\circ}\text{F}$  to  $+140^{\circ}\text{F}$ ), the camera is designed for extreme temperature environments. Supporting  $\pm 25\%$  input voltage tolerance, this camera suits even the most unstable power supply conditions. Its 4KV lightning rating provides protection against the camera and its structure from the effects of lightning.

1. Requires PoC Transceivers for each channel and an external power supply for each transceiver.

### Technical Specification

#### Camera

Image Sensor	1/2.9-in. CMOS
Effective Pixels	1920(H) x 1280(V), 2 MP
Scanning System	Progressive
Electronic Shutter Speed	1/30 s to 1/100000 s
Minimum Illumination	Color: 0.02 Lux at F1.3 0 Lux (with IR on)
S/N Ratio	More than 65 dB
IR Distance	Up to 30 m (98.42 ft)
IR On/Off Control	Auto, Manual
IR LEDs	20

#### Lens

Lens Type	Vari-focal Lens / Fixed Iris
Mount Type	Board-in
Focal Length	2.7 mm to 13.5 mm
Max Aperture	F1.3
Horizontal Angle of View	104° to 27°
Focus Control	Manual
Close Focus Distance	200 mm (7.87 in.)

#### Pan / Tilt / Rotation

Range	Pan: 0° to 360° Tilt: 0° to 90° Rotation: 0° to 360°
-------	--

#### Video

Resolution	2 MP (1920 x 1080)
Frame Rate	2 MP at 30 fps 720p at 30/60 fps
Video Output	One (1) BNC HDCVI High-definition Channel, or One (1) BNC CVBS, AHD, or TVI Channel, switchable
Video Transmission <sup>2</sup>	RG-59/U Coax 720p: 800 m (2624.67 ft) 1080p: 500 m (1640.42 ft)
	RG-6/U Coax 720p: 1200 m (3937.01 ft) 1080p: 800 m (2624.67 ft)
	CAT 6 UTP (balun required) 720p: 450 m (1476.38 ft) 1080p: 300 m (984.25 ft)
Day/Night	Auto (ICR), Manual
OSD Menu	Multi-language
BLC Mode	BLC, HLC, DWDR
WDR	Digital WDR
Gain Control	AGC
Noise Reduction	2D
White Balance	Auto, Manual
Smart IR	Auto, Manual

#### Certifications

Safety	EN55032, EN55024, EN50130-4 UL60950-1+CAN/CSA C22.2 No.60950-1
Electromagnetic Compatibility (EMC)	FCC CFR 47 FCC Part 15 Subpart B ANSI C63.4-2014

#### Electrical

Power Supply	12 VDC ±25%
Power Consumption	Maximum 4.2 W (at 12 VDC with IR on)

#### Environmental

Operating Conditions	-40° C to +60° C (-40° F to +140° F), Less than 95% RH Initiate startup above -40° C (-40° F)
Storage Conditions	-40° C to +60° C (-40° F to +140° F), Less than 95% RH
Ingress Protection	IP67

#### Construction

Casing	Aluminium
Dimensions	ø119.0 mm x 97.40 mm (ø4.69 in. x 3.80 in.)
Net Weight	0.37 kg (0.81 lb)
Gross Weight	0.51 kg (1.12 lb)

2. Transmission distance results verified by real-scene testing in Dahua's test laboratory. Actual transmission distances may vary due to external influences, cable quality, and wiring structures.

**Ordering Information**

Type	Part Number	Description
2 MP Camera	A21BH0V	2 MP HDCVI IR Eyeball Camera
Accessories, optional	ADS-12AM-12 12012EPCU	12 VDC, 1 A Power Supply
	PFA13B	Junction Box (For use alone)
	PFA152	Pole Mount (Use with PFB204W wall mount)
	PFB204W	Wall Mount (Use alone or with PFA152 pole mount)
	PFM800	Passive HDCVI Balun
	PFM801	Passive HDCVI Balun with Power
	PFM810	PoC Transceiver
	PFM820	UTC Controller

**Accessories**

Optional:



PFA13B  
Junction Box



PFA152  
Pole Mount



PFB204W  
Wall Mount



PFM800  
Passive HDCVI Balun



PFM801  
Passive HDCVI Balun  
with Power



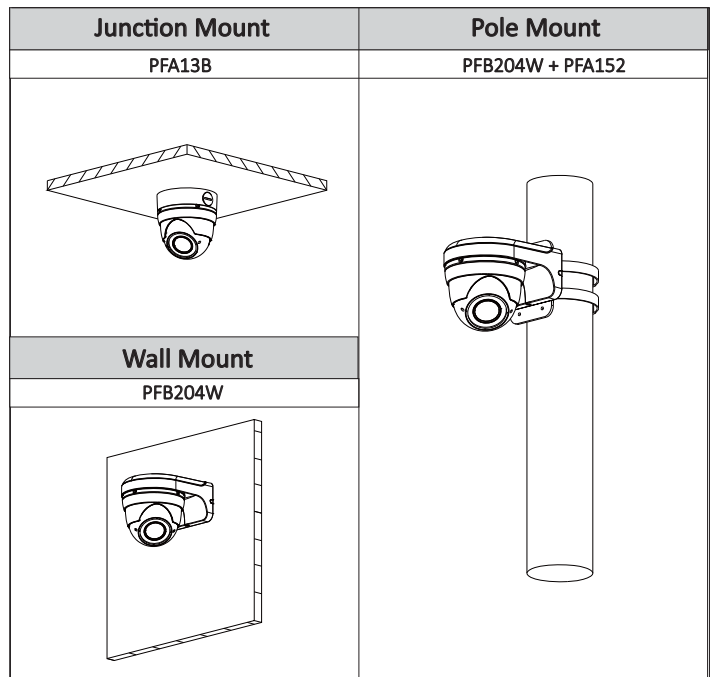
PFM810  
PoC Transceiver



PFM820  
UTC Controller



ADS-12AM-12 12012EPCU  
Power Supply



**Dimensions (mm/inch)**

